

# ENT MICROSCOPES



FM 680767



SINCE 1945

**SEILER**  
MEDICAL DIVISION



## ALPHA AIR 3&6

- » Straight Binocular Head
  - » Optional: 0-220° Inclinable Binocular Head
- » Choose 3 or 6-Step Turret Magnification System
- » LED Illumination + 150,000 lux
- » 10x Widefield Eyepieces with Dioptic Locks
  - » Optional: 12.5x, 16x, and 20x
- » Objective Lens: 175mm, 200mm, 250mm, 300mm, and 400mm
  - » Optional: Vario Focus Lens (200mm-350mm)
- » USB and 12 VDC Power Support Directly on Optic Pod
- » True Coaxial Illumination
- » Composite and Red Free Filter Standard
- » Large Selection of Accessories Available
- » Six Mounting Options Available: Floor, Fixed Floor, Wall, High Wall, Ceiling, Tabletop

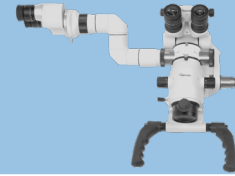
## ALPHA SLIM 3&6



- » **Can Be Used with Surgical Drape**
- » 6-Step Turret Magnification System (3-Step Turret Available)
- » LED Illumination + 100,000 lux
- » 50,000-Hour Life
- » Light Transported Via Liquid Light Guide
- » Widefield Eyepieces: 10x, 12.5x, 16x and 20x
- » True Coaxial Illumination = "Shadow-Free View"
- » Objective Lens: 175mm, 200mm, 250mm, 300mm and 400mm
  - » Optional: Vario Focus Lens - (200mm-350mm)
- » Straight Binocular Head
  - » Optional 0-2200
- » Red-Free Filter Standard
- » 12 VDC Power Support Directly on Light Source (HD & CCD Cameras)
- » Six Mounting Options Available: Ceiling, High Wall, Wall, Fixed Floor, Table and Mobile Mount

## ACCESSORIES

### ASSISTANT TEACHING HEAD



### BEAMSPLITTER



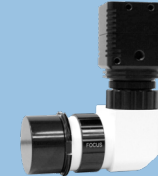
### DSLR CAMERA ADAPTER



### EXTENDER ROTATION DEVICE



### HD LIVE VIDEO CAMERA



### IRIS DIAPHRAGM



### LASER FILTERS



### GO PRO HERO

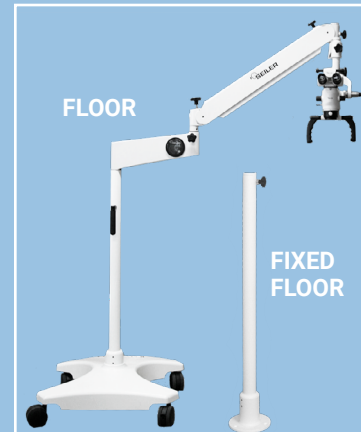


### VARIO FOCUS



## MOUNTING OPTIONS

### FLOOR



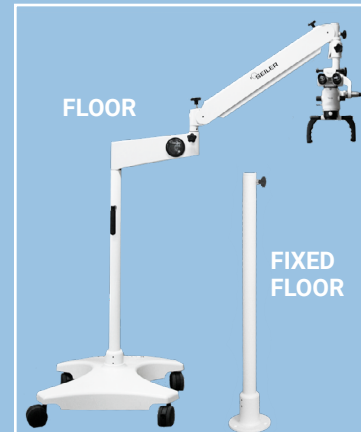
### CEILING



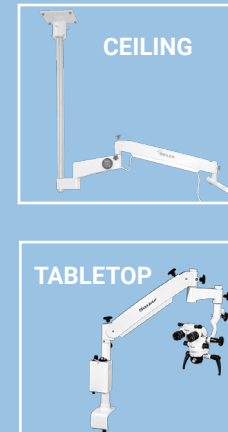
### HIGH WALL



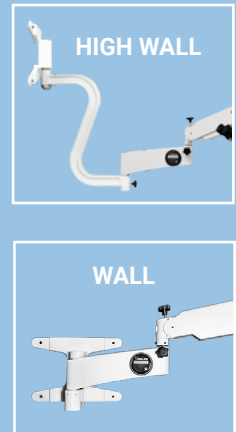
### FIXED FLOOR



### TABLETOP



### WALL



# VIDEO CAPTURE



By accommodating a full HD video camera able to capture 4K video, otolaryngologists can have better discussion with patients about their concerns. This type of communication helps otolaryngologists build more trusting relationships with patients, so they do not feel like they're being pressured into unnecessary treatments.

# MAGNIFICATION & ILLUMINATION



Unique to the industry, Seiler microscopes allow for up to 6 steps of magnification. With this enhanced precision in magnification, Seiler microscopes improve the overall quality of work otolaryngologists are performing.

*Seiler's microscopes have a built in USB port and a 12-volt power supply, allowing for more continuous use without recharging the camera's battery supply.*

*Seiler microscopes boast some of the brightest LED illumination in the industry at 150,000 lux, while maintaining a 50,000-hour life on the LED bulb.*

# ERGONOMICS



Optimal working posture is a must for otolaryngologists. With the median age of practicing otolaryngologists at 54 for men and 48 for women, the ability to work in a comfortable position is critical. Musculoskeletal disorders are not uncommon among this group, so providing a microscope that is comfortable to use is a distinct advantage.

*Seiler microscopes ensure otolaryngologists practice in an upright, working posture while keeping visual contact with patients.*

# ENT MICROSCOPE



## EVOLUTION ZOOM

- » Objective Lens: 200mm–400mm
- » Eyepieces: 10x, 12.5x, and 20x
- » Field of Vision: 14mm–70mm
- » Illumination Field: 70mm
- » LED Illumination Brightness in the Working Area at Full Power: 100,000 lux (min.)
- » 0-220° Inclination Head
- » Motorized Focus
- » Motorized 1:6 Zoom





Toll-Free: **800-489-2282**

Local: **314-968-2282**

Fax: **314-968-3601**

Email: **[micro@seilerinst.com](mailto:micro@seilerinst.com)**

**[seilermicro.com](http://seilermicro.com)**



Seiler Precision Microscopes



Seiler Medical Division



MED8034 Rev.1 10.4.18